

## Gas Circuit Breaker

### HCSP Series for 123kV to 145kV 40kA



HICO is a World Leader in SF<sub>6</sub> Gas Circuit Breaker technology serving our customers needs.

Our experience in the field of Gas Circuit Breaker technology, our innovative designs, our comprehensive quality management system certified by ISO 9001 & ISO 14001 and our exemplary clean-room manufacturing facilities ensure that our circuit breakers satisfy our customers highest demands while achieving the required levels of economic efficiency and environmental compatibility.

### General

The HCSP breaker is SF<sub>6</sub> gas insulated, which features excellent arc-extinguishing performance and high dielectric strength.

The breaker consists of isolated single phase cast aluminum tanks, and is operated by our high quality, reliable spring mechanism.

### Standard Features

- Dead tank design
- Three pole operation
- Single self-blast interrupter per phase
- Reliable spring operating mechanism
- Three-cycle interrupting time
- Three tank construction
- Operating pressure (72psig @ 20 °C)
- Porcelain or Composite bushings
- ASME pressure vessel certification for unfired pressure vessels
- Exterior bushing current transformers
- Shipped fully assembled
- Design tested to meet or exceed ANSI standard

### Options and Accessory

- Tank Heater for low temperature application



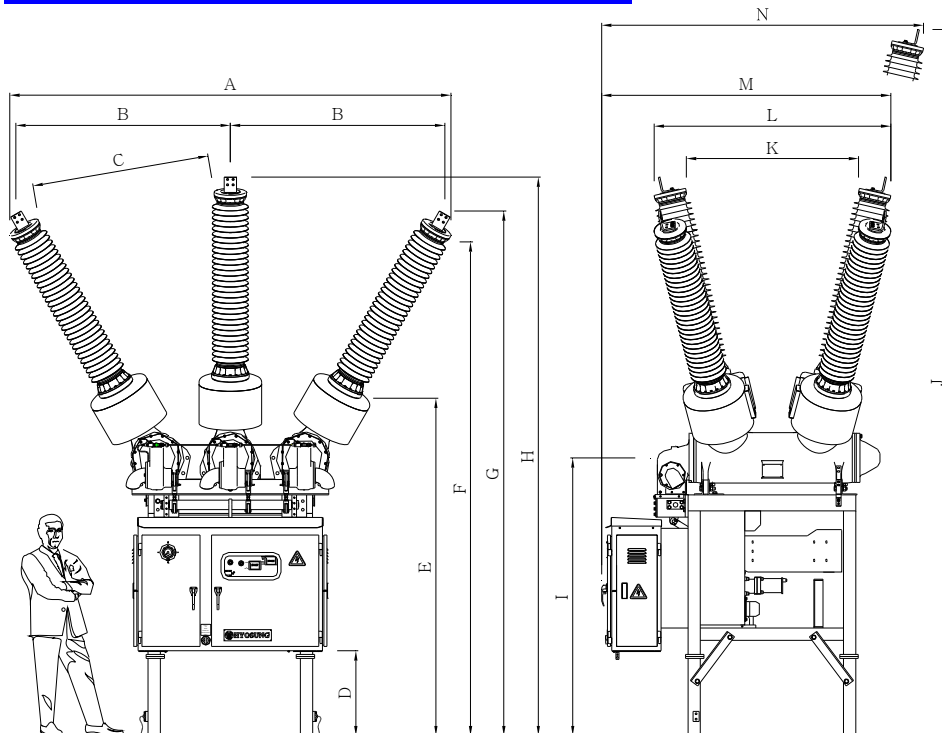
Overview of HICO Factory in KOREA



World Leader in  
High Voltage Transmission Equipment

HYOSUNG CORPORATION

**Technical Details 123 / 145kV 40kA**



►► Technical Data

Dimension in inches						
A	B	C	D	E	F	G
148"	72"	60"	27"	108"	164"	174"
H	I	J	K	L	M	N
186"	89"	233"	58"	79"	94"	105"

Type	HCSP-124B	HCSP-144B
Voltage(max kV)	123	145
Bill (kV Crest)	550	650
60 Hz withstand (kV)	260	310
Continuous Current (A)	1200 / 2000 / 3000	1200 / 2000 / 3000
Interrupting Current (kA)	40	40
Interrupting Time (cycles)	3	3
2μs Chopped wave (kV Crest)	710	838
Total Weight (lbs / kgs)	7,710 / 3,500	7,710 / 3,500
Weight of SF6 (lbs / kgs)	73 / 33	73 / 33

**Headquarters:**

One Penn Center West, Suite 212  
Pittsburgh, PA 15276-0101  
Phone: (412) 787-1170  
Fax: (412) 787-2270  
Email: [sales.team@hicoamerica.com](mailto:sales.team@hicoamerica.com)



<http://www.hicoamerica.com>  
<http://www.hyosung.com>

**Los Angeles Office:**

910 Columbia Street  
Brea, CA 92821  
Phone: (714) 989-8900  
Fax: (714) 989-8901  
Email: [benny.jeong@hicoamerica.com](mailto:benny.jeong@hicoamerica.com)